



INVERTED-U

ANCHOR TRACK™ SYSTEM

Assembly and Operation Instruction Manual



A N C H O R
TR**CK**

ISO 9001:2008 Registered

Manual 103-0073



RIGID LIFELINES' CONDITIONS OF USE AND WARNING STATEMENT

1. Read, understand, and follow the manual, assembly drawings, and warnings provided with your system **before** beginning installation.
2. This manual, and any other instructions, must be provided to the users of this equipment. The user must understand the equipment's proper use and limitations.
3. A fall event can result in serious injury or death. This equipment, when used properly, reduces the chances of those outcomes.
4. Always perform a hazard analysis **before use** that will identify impact hazards, swing hazards, or any other hazards that may exist. Address and correct all hazards **before use**.
5. Always have a written rescue plan that defines who will rescue a fallen worker, what equipment will be used, and optimum rescue response time. If the same system will be used for rescue, a minimum of a two-man system must be specified.
6. Follow all current requirements of ANSI Z359 (or CSA Z259 in Canada).
7. Each component and system must be employed and maintained in accordance with all OSHA and ANSI standards.
8. Per OSHA and ANSI (or CSA Z259 in Canada) requirements, designate a competent person who can fulfill obligations of all regulations.
9. Note the maximum number of users and weight capacities are listed on a label on the system. Exceeding the capacities listed on this label can result in serious injury or death.
10. Always check for overhead hazards, such as power lines, trees, overhead structures, or walls, before using or moving system.
11. Any component replacement, addition, or change to any portion of the system must be evaluated by a Qualified Person as defined by OSHA standards.
12. Never use this system for material handling.
13. Never use the system with scaffolding.
14. Never use the system alone without a monitor. Use the buddy system when using fall protection. The monitor, or "buddy," does not need to be attached to the system, but just nearby supervising.
15. Consult with a qualified person for minimum fitness requirements for workers. Determination of minimum fitness levels of workers prior to use of system is by others.
16. For mobile systems—It is the responsibility of the user and their management's Competent Person to determine that the system's base is level, the masts are plumb, and that the entire, leveled system is stable before every use.
17. For moveable track systems—Always use the system in work spaces that allow you to move the system's runway as close as possible to the center of the work area.
18. **Before each use**, inspect the system for bent, broken, cracked, or missing components.
19. A competent person must thoroughly inspect the system **annually** and **after each fall event**.
20. There should never be any type of loading past the end stops for any reason.
21. When connecting track sections, track splice and truss splice plates are required. For trussed track, splice joint centers must be within 48 inches of the hanger support centers unless otherwise specified. For plain track, splice track centers must be within 18 inches of the hanger support centers unless otherwise specified.
22. Systems with flush clamp hangers do not require sway bracing. However, all systems mounted to the ceiling must be laterally and longitudinally braced with bracing provided by others.



WARNING

RIGID LIFELINES' CONDITIONS OF USE AND WARNING STATEMENT

23. If supplied, all drive systems are chain driven, and as a result, will experience some backlash in the drive assembly. Although backlash cannot be fully eliminated, it can be reduced by tightening the drive chain. Torque limiters, if supplied, require special attention. Most drive issues result from improper torque limiter adjustment or installation.
24. It is the customer's responsibility to confirm that the system and components will work in and are acceptable for their specific application and environment.
25. For foundation-mounted systems, bracing is not required for non-seismic applications. However, if any sway is perceived as undesirable, lateral bracing can be installed to the system by others. To achieve desired rigidity for a specific application, Rigid Lifelines® recommends consulting a professional engineer in your area to satisfy all codes and ordinances. For foundation-mounted systems, chemical anchor bolts supplied by others are required and must provide approximately 7000-pound pull-out force. More accurate pull-out forces are available upon request.
26. Engineering of any attachment points must be done by others.
27. Component appearances and dimensions shown are approximate and subject to change without notice. All catalog dimensions are developed using standard components for the spans and capacities. Substitution of optional trolleys or other components will affect certain dimensions.
28. All Rigid Lifelines' Anchor Track™ Systems meet or exceed OSHA and ANSI requirements.
29. Never load the track at an angle greater than specified in the system's user manual.
30. Never use the system with the attachment point below the D-Ring of the harness.
31. Only the following self-retracting lanyard (SRL) design specifications are acceptable for use on Rigid Lifelines' Anchor Track Systems:
 - a) 900-pound maximum average arresting force (MAAF)
 - b) 4.5 feet-per-second lock up speed
 - c) Disk or drum braking mechanism
 - d) Wire rope SRL's can be used for indoor or outdoor applications
 - e) Fabric or web SRL's can be used only for indoor applications
32. The following SRL's absorbers are **not** acceptable: rip-stitch packs, shock packs, or stretchable energy.
33. Choose the shortest length SRL that will allow the workers to perform their job function. The shortest length SRL will reduce total fall distance by reducing "cable cinching" on the internal SRL pulley. Fabric lanyards stretch under load. The longer the lanyard, the longer the stretch.
34. Never use metallic cables or metallic SRL's around electrical power sources.
35. Only an ANSI (or CSA in Canada) full-body harness is acceptable for use on Rigid Lifelines' Anchor Track Systems.
36. Never use body belts on this system.
37. Never add additional carabiners, D-Rings, shackles, or connecting hardware to this system.
38. On Traveling Bridge Anchor Track Systems, always position the bridge(s) directly overhead of worker(s) at all times.
39. If a boom is provided, never apply a lateral load at the boom tip.
40. Never deviate from the above unless you have written permission and authorization from Rigid Lifelines.



WARNING

Follow the Inspection Checklists in this manual: review the first checklist before each use and the second checklist for after a fall event and annual inspections.

NEVER EXCEED 30 DEGREES OFF-PLUMB (OFF-CENTER) LOADING.

SYSTEM APPLICATIONS

The Inverted-U Anchor Track™ System is used for fall protection applications. This fall protection system is labeled with maximum number of users and maximum arresting force; follow all limitations as noted on system labels. Each user must attach to the Inverted-U track using a personal fall arrest system.

STANDARDS AND COMPLIANCE

Please refer to local, state, and federal (OSHA) requirements governing occupational safety for additional information regarding personal fall arrest systems. The Inverted-U Anchor Track System meets or exceeds the requirements set forth in OSHA 1910, OSHA 1926, and ANSI Z359.

REQUIRED TRAINING

The Inverted-U Anchor Track System is intended to be used by people who are trained in its correct application and use. It is the responsibility of the users and the users' management to assure that they are familiar with these instructions and are trained in the correct use and care of this equipment. Authorized users must also be aware of the operating characteristics, application limits, and the consequences of improper use, which can result in serious injury or death.

Follow ANSI Z359.2 for instructions on how to set up a proper Fall Protection Program within your facility. ANSI Z359.2 *Minimum Requirements for a Comprehensive Managed Fall Protection Program* is available at: www.asse.org.

TABLE OF CONTENTS

CONDITIONS OF USE AND WARNINGS STATEMENT	INSIDE FRONT COVER
SYSTEM APPLICATIONS	1
STANDARDS AND COMPLIANCE	1
REQUIRED TRAINING	1
ASSEMBLY INSTRUCTIONS	3
1. Equipment Needed for Assembly.....	3
2. Inventory.....	3
3. Attaching the Column Weldments to the Foundations.....	4-5
4. Attaching the Headers to the Column Weldments.....	5-6
5. If Provided, Attaching the Track Splice to the Track Sections.....	6-7
6. Attaching the Track to the Headers.....	8-9
7. Final Assembly.....	10
MAINTENANCE	11
LABELING	12
INVERTED-U INSPECTION CHECKLISTS	13
Inverted-U Anchor Track™ System.....	13
Annual Anchor Track™ System.....	14
PRODUCT WARRANTY COVERAGE	15-16
SERVICE POLICY	16
ABOUT RIGID LIFELINES®	BACK COVER

ASSEMBLY INSTRUCTIONS

1. Equipment Needed for Assembly

- a) This manual
- b) Applicable safety equipment for workers' use during assembly, such as hard hats, safety shoes, etc.
- c) Telescoping fork truck or crane (minimum lifting height: 30 feet; minimum capacity: 2,000 pounds)
- d) Man lift/cherry picker (minimum height: 30 feet)
- e) Measuring tape
- f) Torque wrench
- g) Lifting straps
- h) Two six-inch by six-inch (or larger) wood blocks
- i) Long carpenter's level
- j) Wrench/Socket sizes: 3/4 inch and 15/16 inch
- k) A spacious, level area for assembly (e.g., parking lot)
- l) A way to mark hanger locations, such as a permanent marker
- m) *FA-INVERTED-U-ASSEMBLY SHEET 1 OF 2*, hereafter referred to as *Inverted-U Assembly Drawing*, will be included as a separate document.
- n) *FA-INVERTED-U-ASSEMBLY SHEET 2 OF 2*, hereafter referred to as *Inverted-U Label Placement Drawing*, will be included as a separate document.
- o) The Anchor Trolley™ User Instruction Manual (Manual 103-0054), which is packaged with the Anchor Trolley, will be included as a separate document

2. Inventory

- a) Open all bundles and confirm that all components are accounted for: see *Building Materials Description* located in the top right corner of the Inverted-U Assembly Drawing. Note that the quantity of components in an assembly are multiplied by the number of the assemblies.
- b) Check for damage to components that may have occurred during shipping.

3. Attaching the Column Weldments to the Foundations

Refer to Inverted-U Assembly Drawing for Steps A Through H

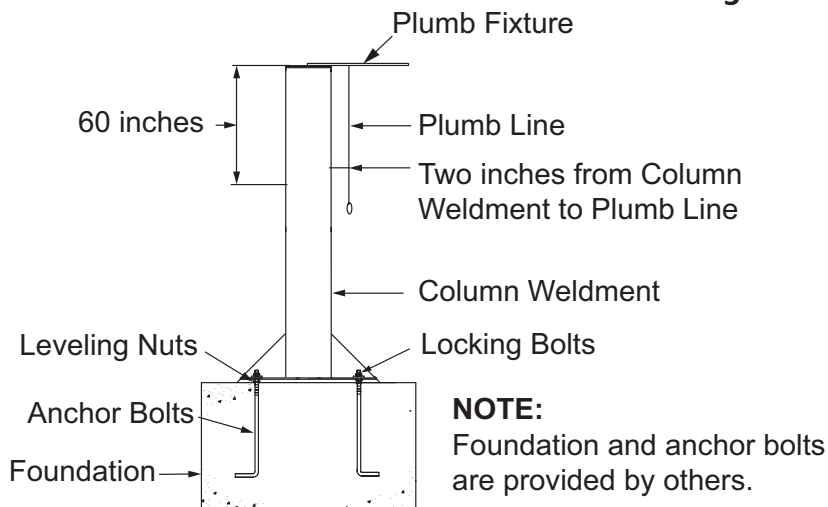
- a) Although there are several base plate leveling methods, this manual describes the method of using leveling nuts provided by others and grout as required on a concrete foundation. Regardless of which base plate leveling method you use, the finished installation requires full contact of the base plate on the foundation. All anchor bolts must have plate washers with standard clearance holes and adequate thickness for oversized base plate holes. Along with plate washers, a standard flat washer must be used on each anchor bolt.

NOTE: It is solely the customer's responsibility to provide the proper concrete foundation and anchor bolts for this system. Do not deviate from the recommended foundation, foundation size, provided hardware, or installation recommendations without consulting a qualified professional.

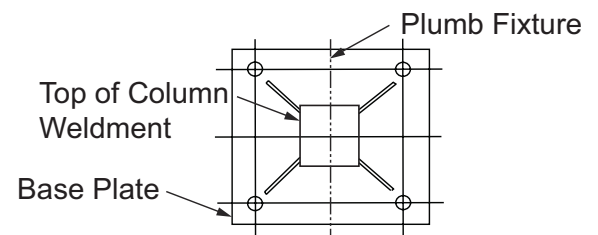
- b) Ensure the recommended concrete foundation (minimum 3,000 PSI and minimum 2,500 lbs/sq-ft soil pressure), reinforcement, and anchor bolts (minimum 3/4-inch diameter anchor bolts) are in place.
- c) As per **Figure 1**, install one set of leveling nuts on the anchor bolts with the top surface approximately one inch above the foundation. Next, place the column weldment over the anchor bolts resting on leveling nuts. Install the second set of nuts with plate washers and flat washers. Clamp the plumb fixture to the top of the column weldment.

NOTE: The plumb fixture must be perpendicular to the column weldment.

Figure 1



This view is from the perspective of the top of the column weldment to the foundation.



- d) As per **Figure 1**, select a position on the plumb fixture two inches from the edge of the column weldment to hang a plumb line. Measure 60 inches down from the top of the column weldment and use this point to check the two-inch dimension for the plumb line.
- e) As per **Figure 1**, position the plumb fixture directly between two anchor bolts and measure from the plumb line to the edge of the column weldment. If this measurement is not two inches, adjust the leveling nut directly below by turning it up if the distance is greater than two inches or down if the distance is less than two inches.

- f) As per **Figure 1**, rotate the plumb fixture 90 degrees and ensure the column weldment is plumb. Adjust the leveling nuts until you have the same distance on each side of the column weldment. Repeat this entire step at each anchor bolt.
 - g) As per **Figure 1**, when the column weldment is plumb, tighten the locking nuts.
- NOTE:** Do not grout the base plate until the column weldment is completely installed.
- h) Repeat steps **a)** through **g)** to attach the remaining column weldments (2 in *Building Materials Description*) to their foundations.

4. Attaching the Headers to the Column Weldments

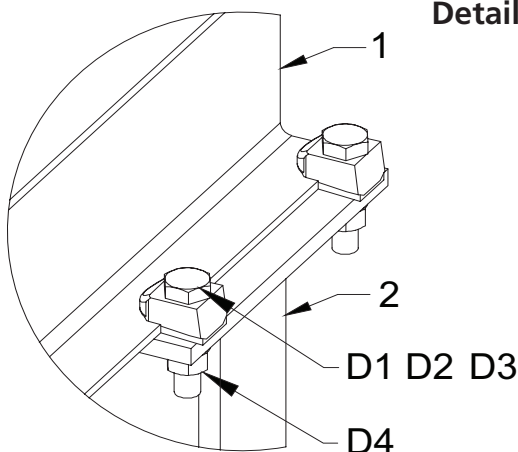
Refer to Inverted-U Assembly Drawing for Steps A Through J

- a) Evenly balance a header (1 in *Building Materials Description*) on top of two six-inch by six-inch blocks so that the bolt holes are at the bottom.
- b) Feed a lifting strap under the header so the header's weight will be evenly distributed during lifting.
- c) Attach the other end of the lifting strap to a crane or forklift and use the crane/forklift to lift the header (1 in *Building Materials Description*) into the air.
- d) Position the header (1 in *Building Materials Description*) over the column weldment (2 in *Building Materials Description*) so that all bolt holes are aligned.
- e) Using a man lift, have another worker raise himself or herself to the top of the column weldment.
- f) As per **Detail "D,"** insert four bolts (D1) through four beam clips (D2) and four clip washers (D3) so that the clip washers (D3) are underneath the beam clips (D2).
- g) As per **Detail "D,"** bolt the header (1) to the column weldment (2) by inserting the bolts (D1) with attached beam clips (D2) and clip washers (D3) through the holes on top of the column weldment (2) so that the beam clips (D2) hold onto the bottom flange of the header (1).

NOTE: Ensure that the straight edges of the clipped washers (A7) are facing away from the center of truss clamp plates (A1).

- h) As per **Detail "D,"** hand tighten nuts (D4) to the bolts (D1). Adjust the beam clips (D2) as needed by tightening or loosening the nuts (D4) until the beam clips (D2) sit properly on the bottom flange of header (1).

Detail "D" (Headers to Column Weldments)



Item	Description
1	Header
2	Column Weldment
D1	5/8-inch by 3-inch Hex Head Bolt
D2	5/8-inch Beam Clip
D3	5/8-inch Clipped Washer
D4	5/8-inch Hex Locknut

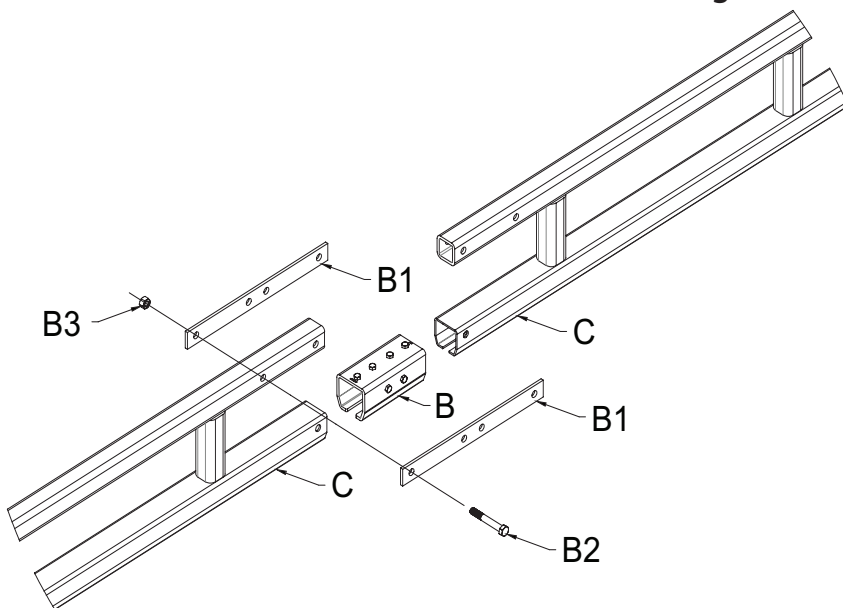
- i) Repeat steps **f)** through **h)** to attach the other end of the header (1) to the second column weldment (2).
- j) Repeat steps **a)** through **j)** to attach the remaining headers (1) to the remaining column weldments (2).

5. If Provided, Attaching the Track Splice to the Track Sections

Refer to Inverted-U Assembly Drawing for Steps A Through I

- a) Track splices are only required for systems containing more than four column weldments (2 in *Building Materials Description*). If you purchased a system with more than four column weldments (2 in *Building Materials Description*), follow the steps below to attach the track splice to the track sections. If your system doesn't require a track splice, proceed to step **6. Attaching the Track to the Headers**.
- b) As per **Figure 2**, the track splice joint (B) comes assembled using a sleeve with a total of eight set screws threaded into the top and both sides.
- c) As per **Figure 2**, slide the track splice joint (B) over the end of a track section (C), then butt the second track section (C) against the first. Center the track splice joint (B) over both track section ends.
- d) As per **Figure 2**, **hand tighten** the top two center set screws to push the track sections against the base of the track splice joint (B) until both track section bottom surfaces are aligned. Adjust both sets of side set screws so that the track slots are aligned and there is a smooth transition from one track section (C) to the other.
- e) As per **Figure 2**, after you properly align the track sections (see **Figure 3** on page 7), tighten the top set screws first before tightening the side set screws. Do not over-tighten set screws.
- f) As per **Figure 2**, bolt the track splice plates (B1) to the top of the track sections on both sides using nuts (B3) and bolts (B2). Torque the nuts (B3) to 51 foot-pounds.

Figure 2

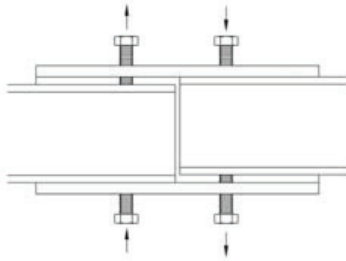


Item	Description
B	Track Splice Joint
B1	Track Splice Plate
B2	1/2-inch Hex Head Bolt
B3	1/2-inch Hex Locknut
C	Track Sections

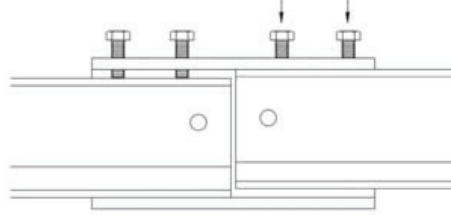
g) As per **Figure 3**, the track splice joint must be properly aligned with the track sections.

Figure 3

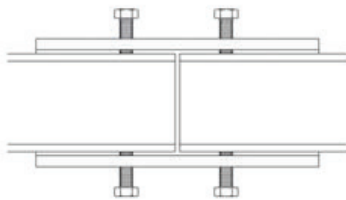
Top View of Incorrect Alignment



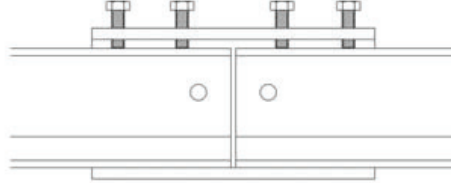
Side View of Incorrect Alignment



Top View of Correct Alignment



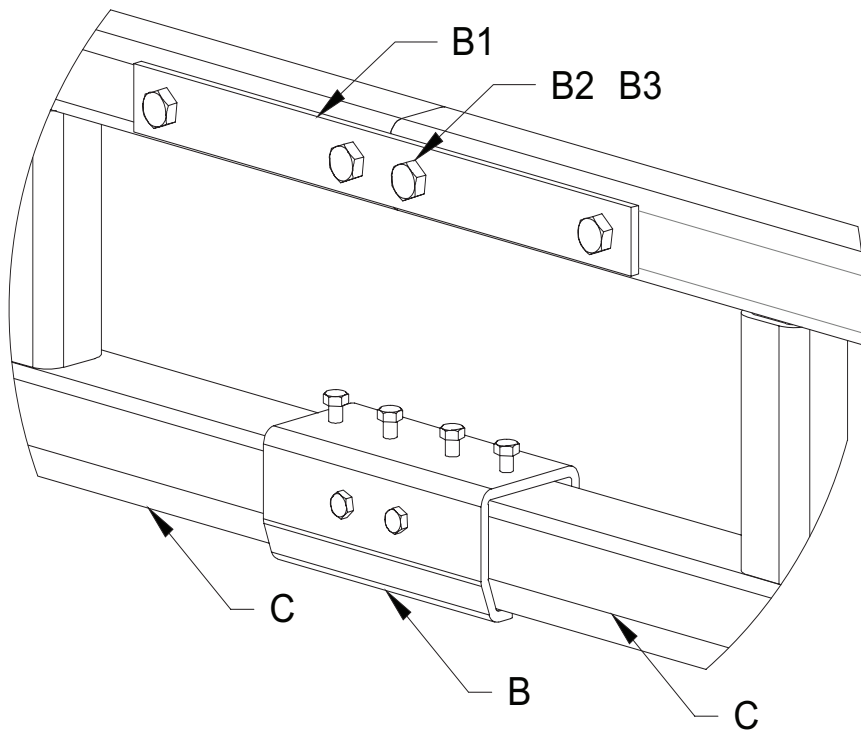
Side View of Correct Alignment



h) If you ordered a multiple track system, repeat steps **b)** through **g)** to attach the remaining track splice(s) to the track sections.

i) Refer to **Detail "B"** for an illustration of the properly attached track splice to the track sections.

Detail "B" (Track Splice to Track Sections)



Item	Description
B	Track Splice Joint
B1	Track Splice Plate
B2	1/2-inch Hex Head Bolt
B3	1/2-inch Hex Locknut
C	Track Sections

6. Attaching the Track to the Headers

Refer to Inverted-U Assembly Drawing for Steps A Through N

- a) Using a measuring tape and a permanent marker, measure and mark one-foot six-inches in from each end of the track (C in *Building Materials Description*) for standard overhang. These locations are where the hanger kits (A in *Building Materials Description*) should be installed on the end headers (1 in *Building Materials Description*).

NOTE: One-foot six-inch overhang is standard. Refer to your Final Fabrication Drawing for correct overhang lengths.

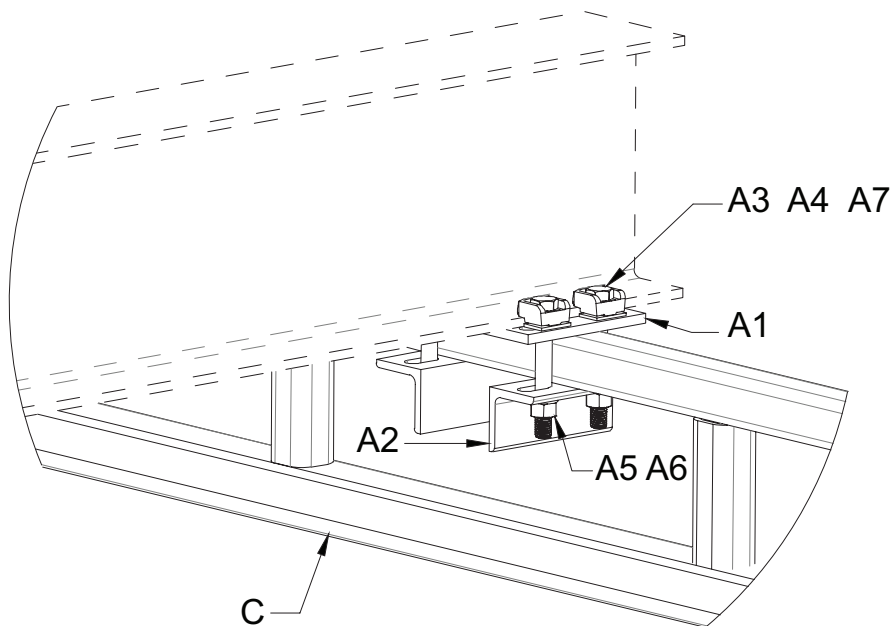
- b) As per **Detail "A,"** insert four bolts (A3) through four beam clips (A4) and clipped washers (A7) so that the clipped washers (A7) are underneath the beam clips (A4).
- c) As per **Detail "A,"** insert the bolts (A3), beam clips (A4), and clipped washers (A7) through the truss clamp plate (A1).

NOTE: Ensure that the straight edges of the clipped washers (A7) are facing away from the center of truss clamp plates (A1).

- d) As per **Detail "A,"** place the end of the truss clamp plate (A1) and attached hardware (A3, A4, and A7) on the marked spot on the track (C) so that the bolts (A3) hang down on both sides of the track (C). Ensure that the end of the truss clamp plate (A1) is one-foot six-inches in from each end of the track (C) for standard overhang.

- e) As per **Detail "A," hand tighten** the angle truss clamps (A2) to the bolts (A3) using flat washers (A5) and nuts (A6) so that the flat washers (A5) are between the angle truss clamps (A2) and nuts (A6). Ensure that the angle truss clamps (A5) form *inverted-L's*.

Detail "A" (Track to Headers)



Item	Description
A1	Truss Clamp Plate
A2	Angle Truss Clamp
A3	5/8-inch Hex Head Bolt
A4	Beam Clip
A5	5/8-inch Flat Washer
A6	5/8-inch Hex Locknut
A7	5/8-inch Clipped Washer
C	Track

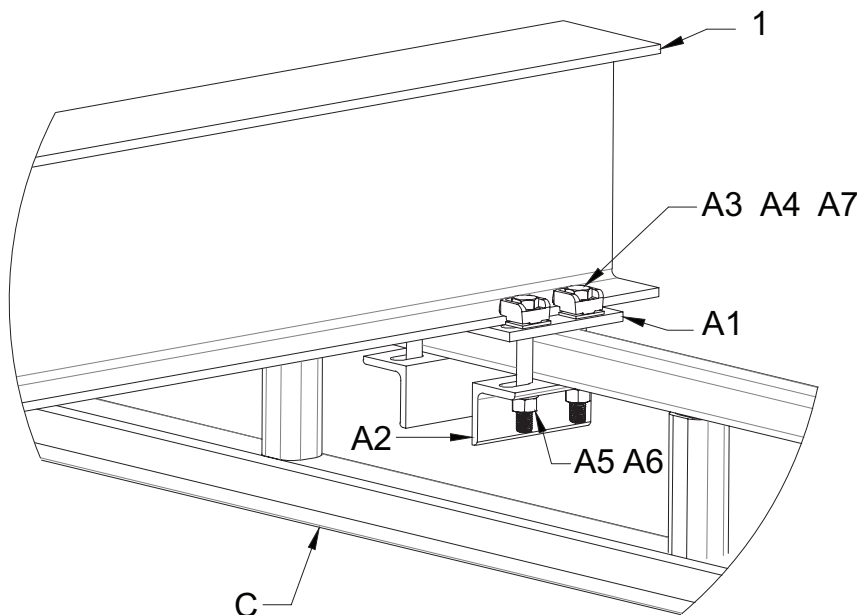
- f) Repeat steps b) through e) to attach another hanger kit (A in *Building Materials Description*) to the marked spot on the other end of the track (C in *Building Materials Description*).

- g) Using a crane and lifting straps, lift the track (C in *Building Materials Description*) to the end header (1 in *Building Materials Description*).
- h) Use a man lift or cherry picker to reach the track (C in *Building Materials Description*) and end header (1 in *Building Materials Description*).
- i) As per **Detail "A,"** position the track (C) and attached components (A1-A7) so that two beam clips (A4) are on each side of the end header (1).

NOTE: Track splice joints (B in *Building Materials Description*) must be within 48 inches of a header (1).

- j) As per **Detail "A,"** place the beam clips (A4) so they are holding onto the bottom flange of the header (1). Adjust the beam clips (A4) as needed by tightening or loosening the nuts (A6) until the beam clips (A4) sit properly on the bottom flange of the header (1). **Hand tighten** the beam clips (A4) to the bottom flange of the header (1).

Detail "A" (Track to Headers)



Item	Description
1	Header
A1	Truss Clamp Plate
A2	Angle Truss Clamp
A3	5/8-inch Hex Head Bolt
A4	Beam Clip
A5	5/8-inch Flat Washer
A6	5/8-inch Hex Locknut
A7	5/8-inch Clipped Washer
C	Track

- k) Repeat steps g) through j) to attach the track (C in *Building Materials Description*) to the other end header (1 in *Building Materials Description*).
- l) Now that the track (C in *Building Materials Description*) is attached to the end headers (1 in *Building Materials Description*), repeat steps b) through e) and j) to attach the track (C in *Building Materials Description*) to the remaining headers (1 in *Building Materials Description*).
- m) After the track (C in *Building Materials Description*) has been **hand tightened** to all headers (1 in *Building Materials Description*), ensure that all beam clips (A4 in *Building Materials Description*) are installed horizontally and level within plus or minus five degrees. Then torque all nuts (A6 in *Building Materials Description*) to 108 foot-pounds.
- n) After the track (C in *Building Materials Description*) has been properly torqued, torque all header-to-column-weldment nuts (D4 in *Building Materials Description*) to 108 foot-pounds.

7. Final Assembly

Refer to Inverted-U Assembly Drawing for Steps A Through G

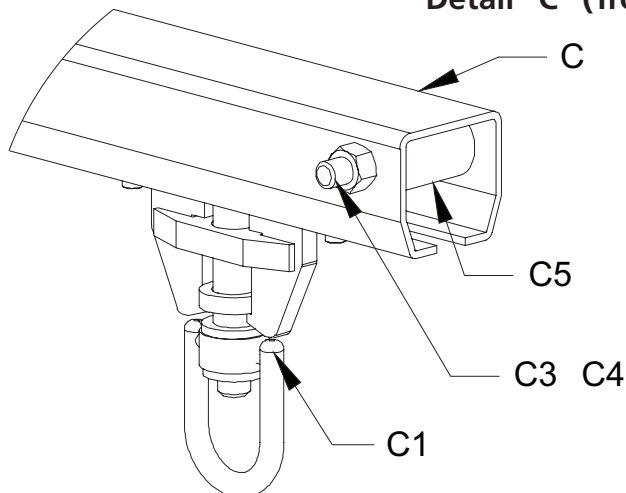
- a) Ensure that the track (C in *Building Materials Description*) is secured properly to the headers (1 in *Building Materials Description*) and that the column weldments (2 in *Building Materials Description*) are securely fastened to their foundations.
- b) Confirm that all of the system's nuts are torqued to the required specifications below prior to removing support rigging (your telescoping fork truck or crane) from any component.

Bolt Diameter	Hex Nut Torque	Minimum Hex Locknut Torque
1/2 inch	78 foot-pounds	51 foot-pounds
5/8 inch	154 foot-pounds	93 foot-pounds
3/4 inch	257 foot-pounds	151 foot-pounds
7/8 inch	341 foot-pounds	224 foot-pounds
1 inch	514 foot-pounds	325 foot-pounds

NOTE: The 5/8-inch beam clip nuts (A6 and D4) should be torqued to 108 foot-pounds.

- c) As per **Detail "C,"** insert your Anchor Trolley™ (C1) into the track (C). For a multiple track system, install one Anchor Trolley per track.
- d) As per **Detail "C,"** install the track's end stops by inserting the bolts (C3) through the holes at both ends of the track (C) and through the rubber sleeves (C5).

Detail "C" (Trolley[s] and End Stops to Track)



Item	Description
C	Track
C1	Swiveling Connector Anchor Trolley
C3	End Stop Bolt
C4	1/2-inch Hex Locknut
C5	End Stop Rubber Sleeve

NOTE: The 1/2-inch hex locknuts (C4) should be torqued until snug against the track. Be careful not to damage the track in any way.

- e) Attach and torque the end stop nuts (C4) until snug against the track.
- f) For multiple track systems, repeat steps a) through e) to insert the remaining Anchor Trolleys (C1) into the remaining tracks (C).
- g) **This system must be used with an ANSI-rated self-retracting lanyard (SRL).** Connect your SRL and retrieval tagline in accordance with the manufacturer's specifications and your training.

MAINTENANCE

1. Visually inspect the system before each use and fully inspect the system after a fall event and annually. Refer to the INSPECTION CHECKLISTS in the next section of this manual for checklists for *Inverted-U Anchor Track™ System* and *Annual Anchor Track™ System*.
2. **If the system fails ANY inspection point on any of the inspection checklists, immediately remove the system from service and call Rigid Lifelines® at 844-467-4443 for instructions.**
3. During the first month after a new installation, a weekly inspection of the system should be performed using the *Annual Anchor Track™ System Inspection Checklist*. It is important to note that every system application and use will be different, meaning some conditions of use will require more frequent inspection. Examples of such conditions include two or three shift operations or working with or near corrosive chemicals or elements.
4. Refer to the Anchor Trolley™ User Instruction Manual (Manual 103-0054), which comes packaged with the Anchor Trolley, for its trolley inspection checklists.
5. Download and print additional blank inspection checklists from the literature tab at RigidLifelines.com.



WARNING

This system must be used with an ANSI-rated self-retracting lanyard (SRL).

If the system is used outdoors, it is highly recommended that a steel cable SRL with heavy-duty housing be used for improved durability against UV radiation and moisture.

A web strap ANSI-rated SRL may be acceptable for use as long as a Competent Person has evaluated the situation and determined that there are no factors present that can have an immediate negative impact on the integrity of the SRL's webbing material AND that the Competent Person inspects the condition of the SRL's webbing and housing prior to each use.



WARNING

Completely retracting the SRL after each use (e.g., using a retrieval tagline) is essential: otherwise, the SRL's internal spring remains under tension, and it quickly loses its ability to properly arrest a freefall.

Retrieval taglines must never be used as an anchorage; doing so could result in serious injury or death.

LABELING

The letters correspond to the letters on the Inverted-U Label Placement Drawing. All labeling must be legible and attached to the system. For replacement labels, contact Rigid Lifelines®.

RIGID LIFELINES' LABEL PLACEMENT DISCLAIMER

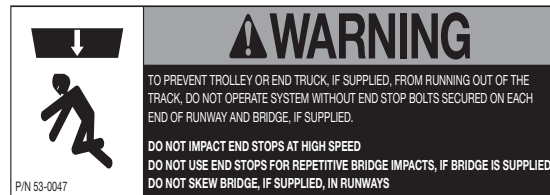
If system is shipped unpainted or without properly secured labels, proper label placement is the sole responsibility of the end user. Follow the Label Placement Drawing shipped with this user manual to place labels correctly. Rigid Lifelines cannot be held liable for any damage or injury resulting from omitted or improper label placement.

"A"



P/N 53-0206

"B"



P/N 53-0047

"C"



P/N 53-0359

"D"



P/N 53-0023

Notes on Label Placement Drawing

- Label **53-0206 "A"** should be centered on the outside of the end header weldments.
- Label **53-0047 "B"** should be placed on both ends of the lower section of trussed track on both sides of each track section.
- Label **53-0359 "C"** should be centered on the lower section of trussed track on both sides of each track section and is **P/N 53-0535** for one person systems, **53-0536** for two person systems, and **53-0359** for **three to eight** person systems, along with **53-0413** through **53-0418** respectively. Labels **P/N 53-0413** through **53-0418** are the capacity numbers three through eight for the Anchor Track Label and should be placed to the right of the line following "Rigid Lifelines."
- Label **53-0023 "D"** should be placed to the left of label **"C"** on the lower section of trussed track on both sides.

INVERTED-U ANCHOR TRACK™ SYSTEM INSPECTION CHECKLIST

Before Each Use

Inspector Name: _____

Date: _____

System Number: _____

Model: _____



INSPECTION POINTS	Inspection Result (✓)	
	PASS	FAIL
1. Test the swiveling connector(s) on each trolley to verify that each trolley rotates and swivels freely.		
2. Verify that the trolley(s) can easily and smoothly roll the full length of the runway track(s).		
3. Check all system welds for cracks.		
4. Check system components for corrosion.		
5. Check system components for bent or damaged areas.		
6. Check support structure for stability.		
7. Visually check all bolted assemblies for proper connections and properly secured bolts and nuts.		

©2016. All Rights Reserved. All specifications and product designs subject to change without prior notice.

AFTER A FALL EVENT AND ANNUAL ANCHOR TRACK™ SYSTEM INSPECTION CHECKLIST

Inspector Name: _____

Date: _____

System Number: _____

Model: _____



INSPECTION POINTS	Inspection Result (✓)	
	PASS	FAIL
1. Check that the beam clamps are installed horizontal within + / - five degrees.		
2. Check that endstop bolts are present and have locknuts installed.		
3. Using a torque wrench, check that all bolts are present and torqued to values shown on Assembly Drawing.		
4. Check that splices, if supplied, are centered on track joints.		
5. Verify that capacity labels are present, attached, and legible. See Label Placement Drawing.		
6. Verify that the number of trolleys matches the value on the capacity label.		
7. Verify that the fall arrest system is not being used for material handling.		
8. Check the track for levelness within + / - 1/4 inches per 20 feet of track.		
9. Check the track flanges. Track flanges cannot be bent downward more than five degrees.		
10. Check the track thickness. Track thickness cannot be worn more than 10 percent.		
11. Check all system welds for cracks.		
12. Check system components for corrosion and bent or damaged areas.		
13. Check that all wheel studs, if supplied, are torqued to value shown on Assembly Drawing. Note that these 1/2-inch wheel studs have a different torque value than the system's other 1/2-inch bolts.		
14. Verify trolley can traverse entire length of track without snags.		
15. Check trolley for visibly bent swiveling connector, broken welds, or excessive wear or corrosion.		
16. Test the operation of the trolley's swiveling connector and verify that it can rotate freely.		
17. Test the operation of the trolley and verify the wheels rotate freely.		
18. Check system components for loose components.		
19. Check system components for loose or missing fasteners.		
20. Check system support structure for stability.		
21. Verify that hanger assemblies are installed properly and fasteners are torqued to proper values.		
22. Check that the support arms pivot bolts, if supplied, are properly installed and tightened.		
23. Check system for unauthorized modifications. Only Rigid Lifelines can authorize modifications. Remove system from service if it is modified in anyway.		

©2016. All Rights Reserved. All specifications and product designs subject to change without prior notice.

PRODUCT WARRANTY COVERAGE

Rigid Lifelines® warrants its products to be free from defects in material and workmanship as follows:

- Engineered Track Equipment: Ten (10) years
- Wearable End Truck Wheels/Anchor Trolley™ Wheels and Teeth: Ten (10) Years
- Soft Goods, Devices, Connectors, and Accessories: One (1) Year
- Motorized Products and Drive Components: One (1) Year
- Paint and Finishes: Two (2) Years

Ten-Year Warranty Coverage:

- Defects in equipment material and workmanship of manual track systems and equipment
- Wearable parts (End truck wheels and Anchor Trolley wheels and teeth)

Rigid Lifelines warrants its manual Anchor Track™ Systems and equipment to be free from defects in material and workmanship for a period of ten (10) years or 20,000 hours, commencing on the date of shipment to the first retail purchaser. This warranty extends to non-wearable parts only, with the exception of the wheels supplied on end trucks and Anchor Trolley wheels and teeth.

Two-Year Warranty Coverage:

- Paint coatings and finishes

Rigid Lifelines warrants its paint and finishes for a period of two (2) years. Warranty claims related to coatings must be accompanied by documentation of the product's application and environmental conditions from time of delivery to time of claim.

One-Year Warranty Coverage:

- Defects in equipment and workmanship of motorized systems and equipment
- Defects in soft goods, devices, connectors, and accessories

Rigid Lifelines warrants motorized equipment to be free from defects in material and workmanship for a period of one (1) year or 2,000 hours, commencing on the date of shipment to the first retail purchaser.

Rigid Lifelines also warrants fall protection soft goods, devices, connectors, and accessories to be free from defects in material and workmanship for a period of one (1) year, commencing on the date of shipment to the first retail purchaser.

Warranty Terms and Conditions:

Rigid Lifelines' obligation under this warranty is limited to the replacement or repair of Rigid Lifelines' products at the factory or separate location approved by Rigid Lifelines. Other than the above mentioned warranty, Rigid Lifelines will not honor any other warranties—whether expressed, implied, or statutory—and disclaims any warranties of merchantability or fitness for a particular purpose. Rigid Lifelines has the right to reject any warranty claim due to harsh and/or inappropriate environmental conditions.

Rigid Lifelines® Is Not Liable for:

- Indirect, incidental, or consequential damages including lost profits, operating costs, loss of production, or travel expenses
- Components or accessories not manufactured by Rigid Lifelines (with the exception of soft goods components and accessories sold and warranted by Rigid Lifelines) Defective equipment or system failure due to misuse, negligence, improper installation or maintenance
- Equipment that has been used in excess of its rated capacity or beyond its service factors
- Equipment that has been altered without Rigid Lifelines' written authorization
- Damage incurred by freight carriers
- Any loss, injury, or damage to persons or property resulting from failure or defective operation of material or equipment
- This warranty is void for any product that is designed to deform or absorb energy during a fall event and needs to be replaced after a fall event has occurred

Reimbursement Disclaimer:

- Written notice of any claimed defect must be given to Rigid Lifelines within ninety (90) days of shipment
- All requests for reimbursement must be accompanied by proper documentation
- Reimbursement is provided in the form of a credit unless otherwise approved by Rigid Lifelines' management
- Reimbursement for labor will be provided at a maximum rate of \$75 per hour
- All reimbursement is subject to approval by Rigid Lifelines' management

SERVICE POLICY

1. Obtain as much information as possible concerning the problem through personal observation by yourself or other authorized personnel familiar with the job and equipment: include model, serial and/or part numbers, voltages, speeds, and any other special identifying features. Be prepared to discuss the situation in detail.
2. All authorized labor charges will be based on straight time. Hourly rates, estimated man hours, and not to exceed total dollar amount required for corrections are to be agreed upon before authorization is given. There will be no allowances for overtime except in dire emergencies and then only with prior approval.
3. A verbal agreement may be reached immediately on both the method of correction and the approximate cost. A warranty authorization number will be assigned for the specific incident. A confirming written authorization will be forwarded to the distributor.
4. The distributor must send an itemized invoice showing our release number or invoice number and warranty authorization number after authorized corrections have been made. A credit memo will be issued by accounting after the invoice has been received and approved. Warranty charges ARE NOT to be deducted from outstanding open account invoices under any circumstances.
5. Any field corrections made prior to an authorization by Rigid Lifelines will not be accepted as a warranty charge or the responsibility of Rigid Lifelines. Any modification to the equipment made without prior approval of the seller will void all warranties. A verbal authorization for modification may be obtained, in which event a warranty authorization number will be assigned for the specific modification. A confirming written authorization will be forwarded to the distributor.

ABOUT RIGID LIFELINES®

OUR MISSION:

Rigid Lifelines is driven by passion for providing our customers with quality, user-friendly solutions to keep workers safer and more productive at elevation.

OUR COMMITMENT

Rigid Lifelines' professionals are dedicated to designing and manufacturing a variety of fall protection systems that meet or exceed OSHA requirements and ANSI Z359 code. Our team of engineers and safety professionals combine over 30 years of experience in the fall protection industry to manufacture fall protection systems that utilize the most advanced technology and designs.

Rigid Lifelines' production facilities are certified under the ISO 9001:2008 Quality Management System to provide superior quality products. And every welder at Rigid Lifelines is certified to handle steel (D1.1) and aluminum (D1.2) in accordance with the rigorous requirements and lab testing established by the American Welders Society (AWS).

Rigid Lifelines' engineers are involved with ANSI Z359 Technical Review Committee and the ANSI Z359.19 Rigid Horizontal Rail Standard. We also participate with the Safety & Health Technology Committee of the Association of Iron & Steel Technology. Our involvement allows us to keep a constant pulse on the trends in both industry practice and government regulation.

OUR PRODUCTION:

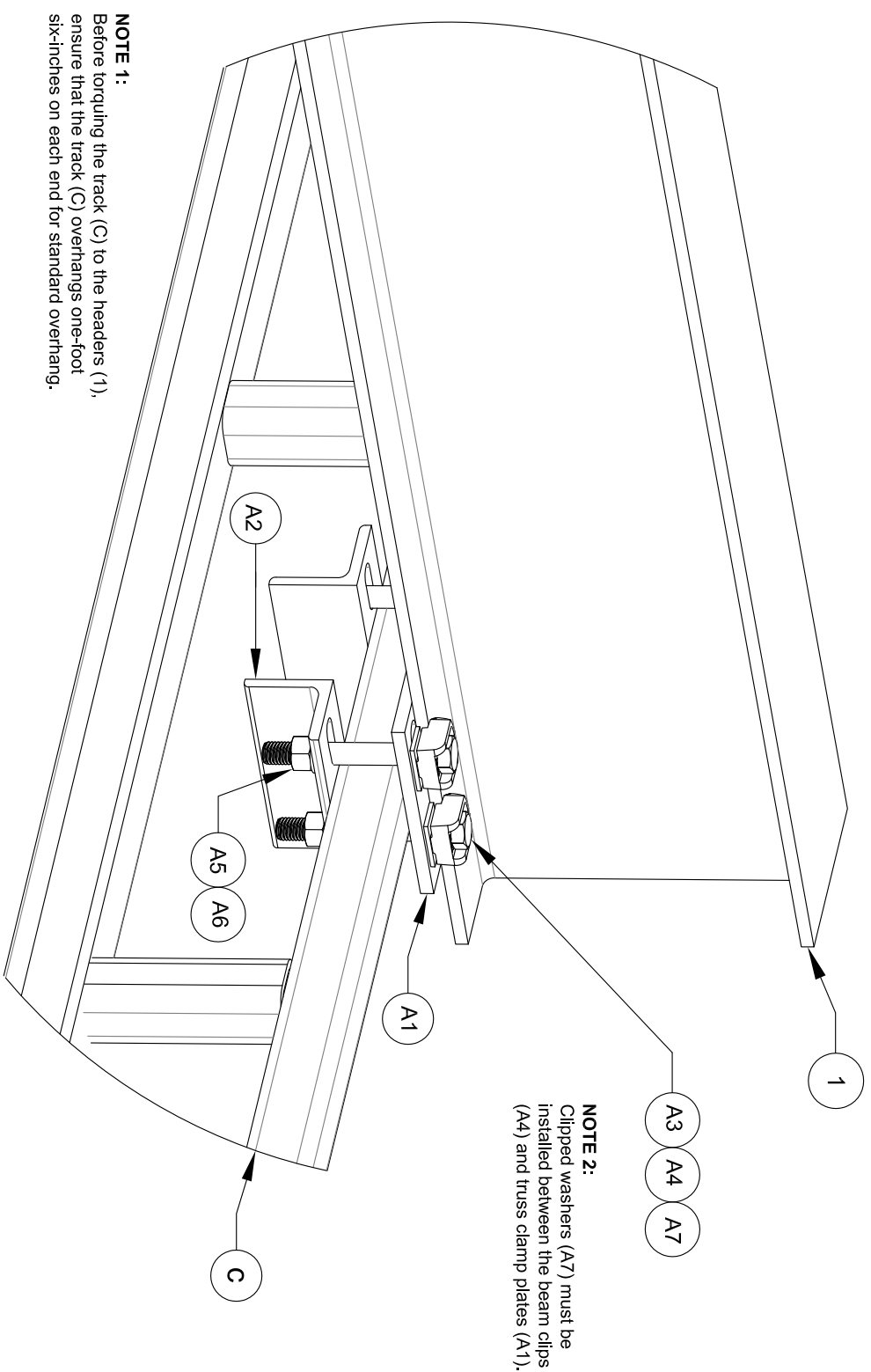
All of our systems are designed and manufactured in the United States of America. We have production facilities in Las Vegas, Nevada, and at our headquarters in Morgantown, Pennsylvania.



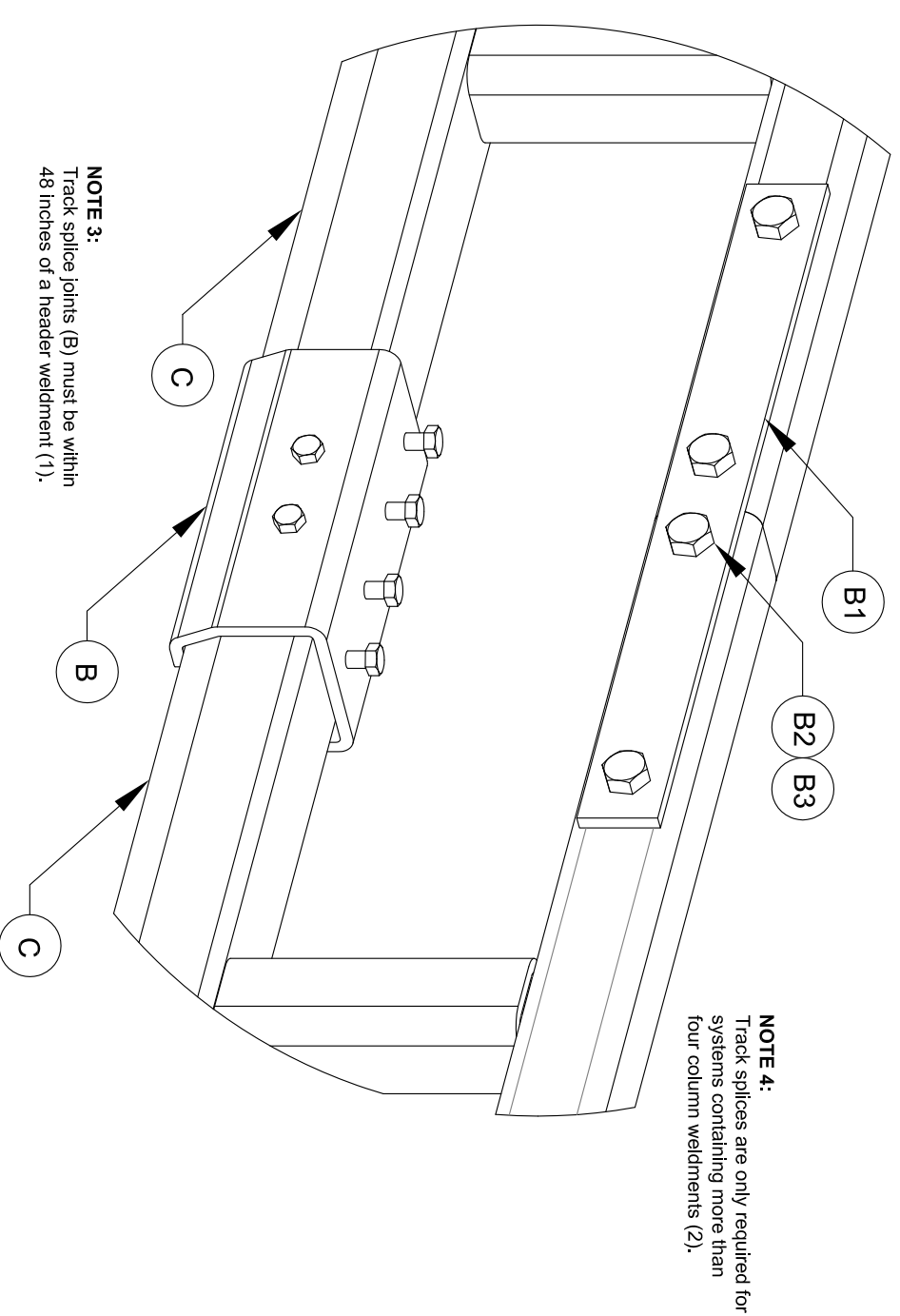
730 Hemlock Road, Suite 104 | Morgantown, PA 19543
Toll Free: (844) 467-4443 | Local: (610) 286-8030 | Fax: (610) 286-6408
RigidLifelines.com | info@RigidLifelines.com

©2016. All rights reserved. Specifications subject to change without prior notice. RLL-IUUM0315V1

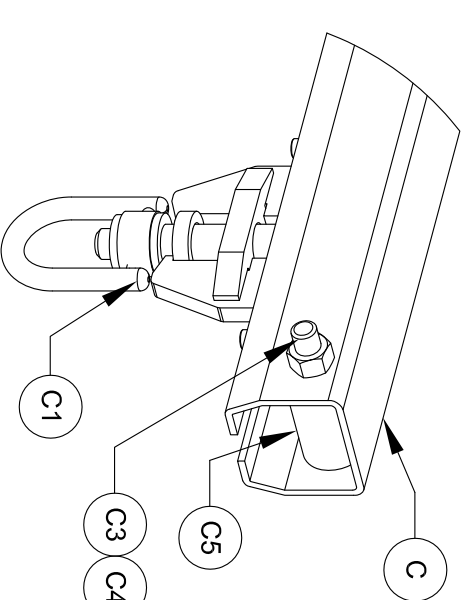
Detail "A" (Track to Headers)



Detail "B" (Track Splice to Track Sections)



Detail "C" (Trolley[s] and End Stops to Track)



Item	Quantity	Part Number	Building Materials Description
1	3	WX-XXX-XX-XX	Header
2	6	FA-U-CW-W/X-5XX	Column Weldment
-A-	X	FA-K-XX-X-XX-X/X	FA, Kit, Hanger, XXX" FLX XXX"
A1	3	PCTX-XX	Truss Clamp Plate, X-XXX" Flange
A2	6	ACT2-3.5	Angle Clamp Truss 2-3/12" TT, Through R730
A3	12	10-03XX	Bolt, 5/8"-11 NC GR5
A4	12	18-0021F	Beam Clip Forged, 5/8" W SH Tall, (1/4" TH)
A5	12	15-0004	Flat Washer 5/8" Plated
A6	12	13-0001	Nut, Hex Lock 5/8"-11 NC
A7	12	18-000X	5/8" Clipped Washer
-B-	1	FA-1X03	Fall Arrest Track Splice, X00 with Bolts
B1	2	SP-1	Plate Only, Splice (Used in "SP" Kits)
B2	4	10-021X	Bolt, 1/2"-13 NC GR5
B3	4	13-0003	Nut, Hex Lock 1/2"-13, GR 2
-C-	2	Runway	Fall Arrest Track
C1	1	FA-XXX-AT	FA, Swiveling Connector Anchor Trolley
C2	2	FA-X00ES	Fall Arrest End Stop Kit
C3	2	10-02XX	End Stop Bolt
C4	2	13-0003	Nut, Hex Lock 1/2"-13
C5	2	RR1.25-X	End Stop Rubber Sleeve
-D-	X	N/A	Header and Column Weldment Hardware
D1	24	10-0303	Bolt, 5/8"-11NC X 3" GR5
D2	24	18-0021F	Beam Clip Forged, 5/8" W SH Tall, (1/4" TH)
D3	24	18-000X	5/8" Clipped Washer
D4	24	13-0001	Nut, Hex Lock 5/8"-11 NC

Component Assembly Schedule

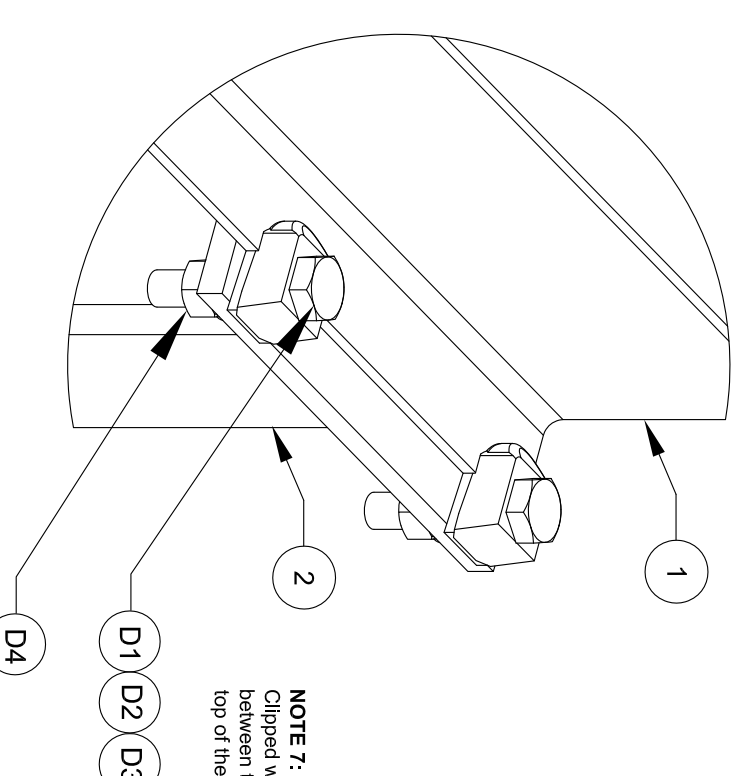
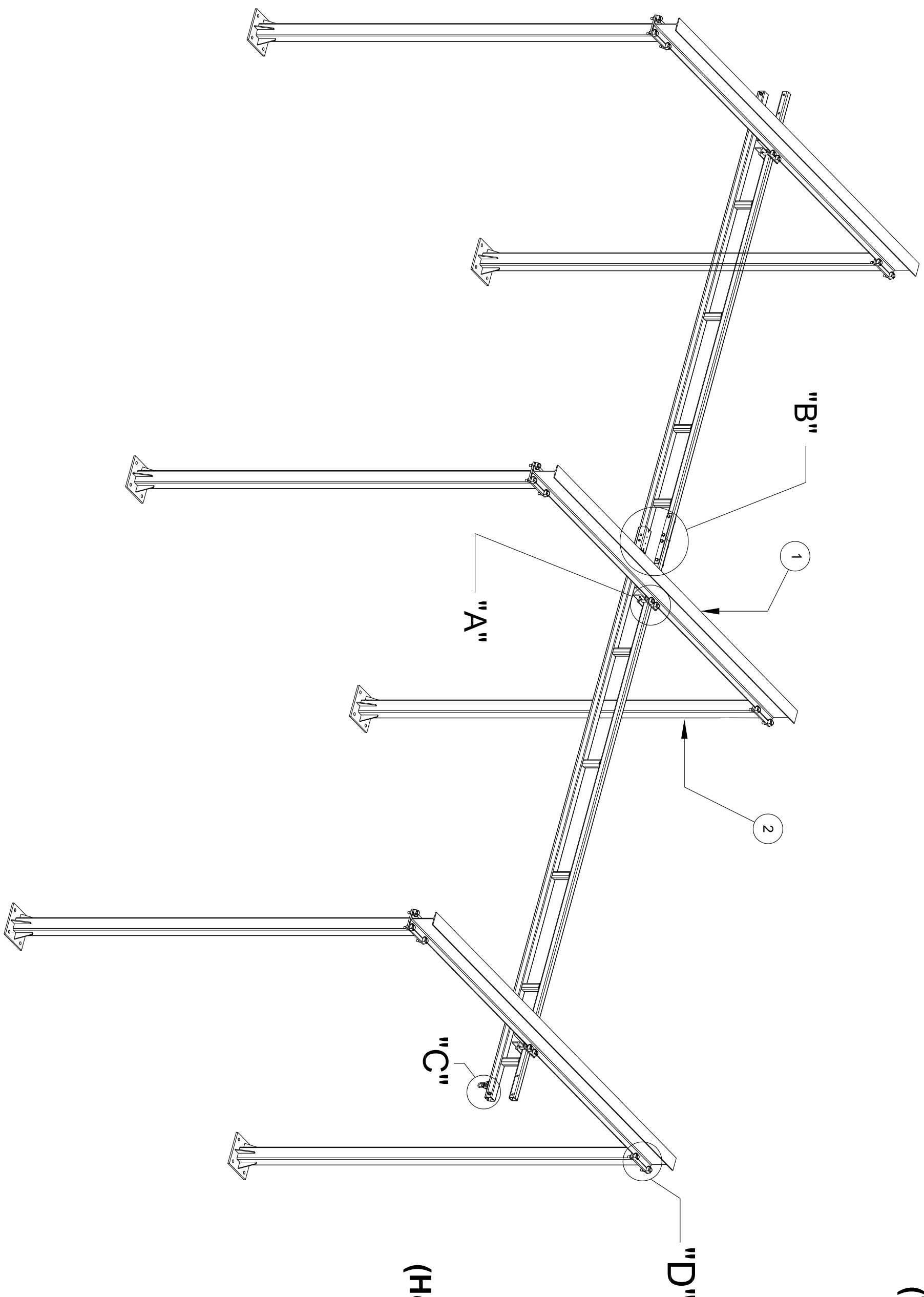
1. Bolt Column Weldments to Foundations
2. Bolt Headers to Column Weldments (Detail "D")
3. If Provided, Bolt Track Splice to Track Sections (Detail "B")
4. Bolt Track to Headers (Detail "A")
5. Install Trolley(s) and End Stops to Track (Detail "C")

Torque Specifications			
Bolt Diameter	Hex Nut Torque	Minimum Hex Locknut Torque	
1/2 inch	78 foot-pounds	51 foot-pounds	
*5/8 inch	154 foot-pounds	93 foot-pounds	
3/4 inch	257 foot-pounds	151 foot-pounds	
7/8 inch	341 foot-pounds	224 foot-pounds	
1 inch	514 foot-pounds	325 foot-pounds	

*The 5/8-inch beam clip nuts (A6 and D4) should be torqued to 108 foot-pounds.

NOTE 6: End stop bolts (C3) and stop locknuts (C4) and end stop rubber sleeves (C5) come in packs labelled "FA-X00ES" (C2).

Detail "D" (Headers to Column Weldments)



Sheet 1 of 2

REV.	DATE	NAME	REVISION DESCRIPTION
CAD GENERATED DRAWING. DO NOT SCALE. DATE APPROVALS			
DRAWN: ZAR	03/27/15		
CHECKED: JRG			
APPROV: JRG	03/17/16		
PROJECT NO.: NTS	SCALE:	SIZE DWG. NO.:	REV.:
CAD FILE: FA-INVERTED-U-ASSEMBLY		FA-INVERTED-U-ASSEMBLY	SHEET 1 OF 2

RIGID LIFELINES
FALL ARREST
INVERTED-U
ASSEMBLY DRAWING

RIGID LIFELINES

(844) 467-4443 :: RigidLifelines.com

P/N 53-0206 See Note 1 for More Info 53-0206

"B"

NOTE 1:

Label 53-0206 "A" should be centered on the outside of the end header weldments. Label 53-0047 "B" should be placed on both ends of the lower section of trussed track on both sides of each track section. Label 53-0023 "D" should be placed to the left of label "C" on the lower section of trussed track on both sides.

NOTE 2:

Label "C" should be centered on the lower section of trussed track on both sides of each track section and is P/N 53-0535 for one person systems, 53-0536 for two person systems, and 53-0359 for three to eight person systems, along with 53-0413 through 53-0418 respectively. Labels P/N 53-0413 through 53-0418 are the capacity numbers three through eight for the Anchor Track label and should be placed to the right of the line following "Rigid Lifelines."

WARNING



TO PREVENT TROLLEY OR END TRUCK, IF SUPPLIED, FROM RUNNING OUT OF THE TRACK, DO NOT OPERATE SYSTEM WITHOUT END STOP BOLTS SECURED ON EACH END OF RUNWAY AND BRIDGE, IF SUPPLIED.
DO NOT IMPACT END STOPS AT HIGH SPEED
DO NOT USE END STOPS FOR REPETITIVE BRIDGE IMPACTS, IF BRIDGE IS SUPPLIED
DO NOT SKEW BRIDGE, IF SUPPLIED, IN RUNWAYS

P/N 53-0047

See Note 1 for More Info 53-0047

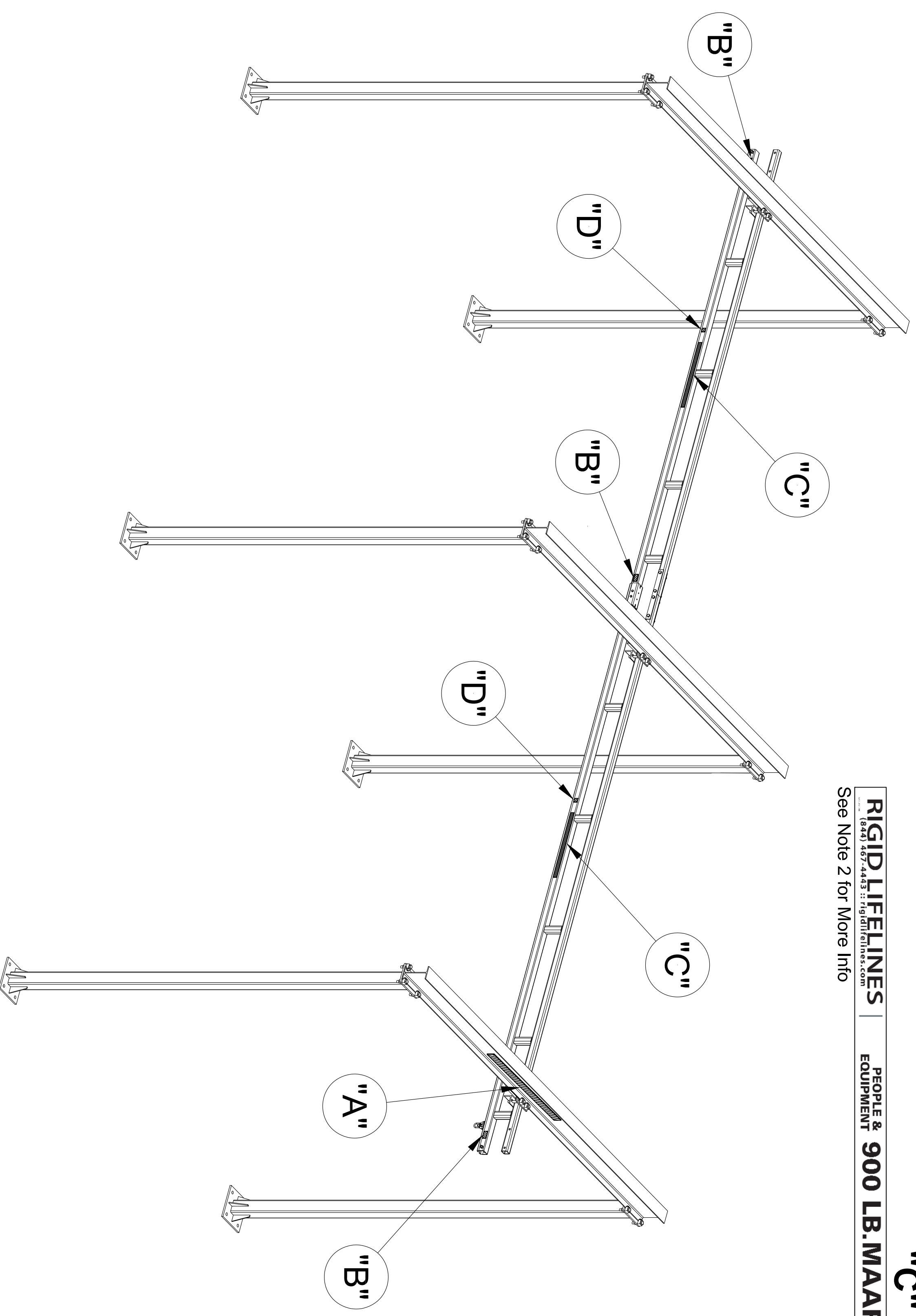
"C"

RIGID LIFELINES PEOPLE & EQUIPMENT **900 LB. MAAF EA. PER TRACK** ANCHOR TRACK

(844) 467-4443 :: RigidLifelines.com

53-0359

See Note 2 for More Info



MADE IN

★★★★★

THE USA

P/N 53-0023

See Note 1 for More Info 53-0023

Sheet 2 of 2

REV.	DATE	NAME	REVISION DESCRIPTION
CAD GENERATED DRAWING. DO NOT SCALE OR PRINT. DO NOT SCALE DRAWING. APPROVALS DATE			
CHECKED: ZAR 03/27/15 APPROV: JRS 03/17/16 PLOT DATE: 03/17/16			
RIGID LIFELINES FALL ARREST INVERTED-U LABEL PLACEMENT DRAWING			SIZE DWG. NO. FA-INVERTED-U-ASSEMBLY PROJECT NO. SCALE: REV. CAD FILE: FA-INVERTED-U-ASSEMBLY SHEET 2 OF 2